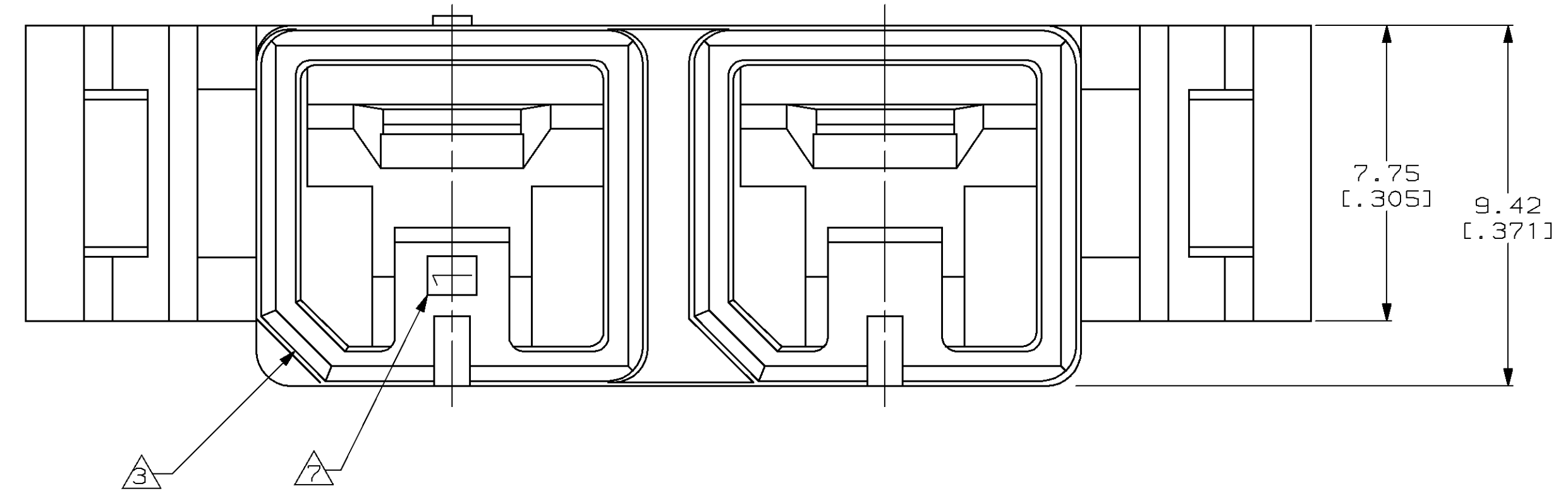
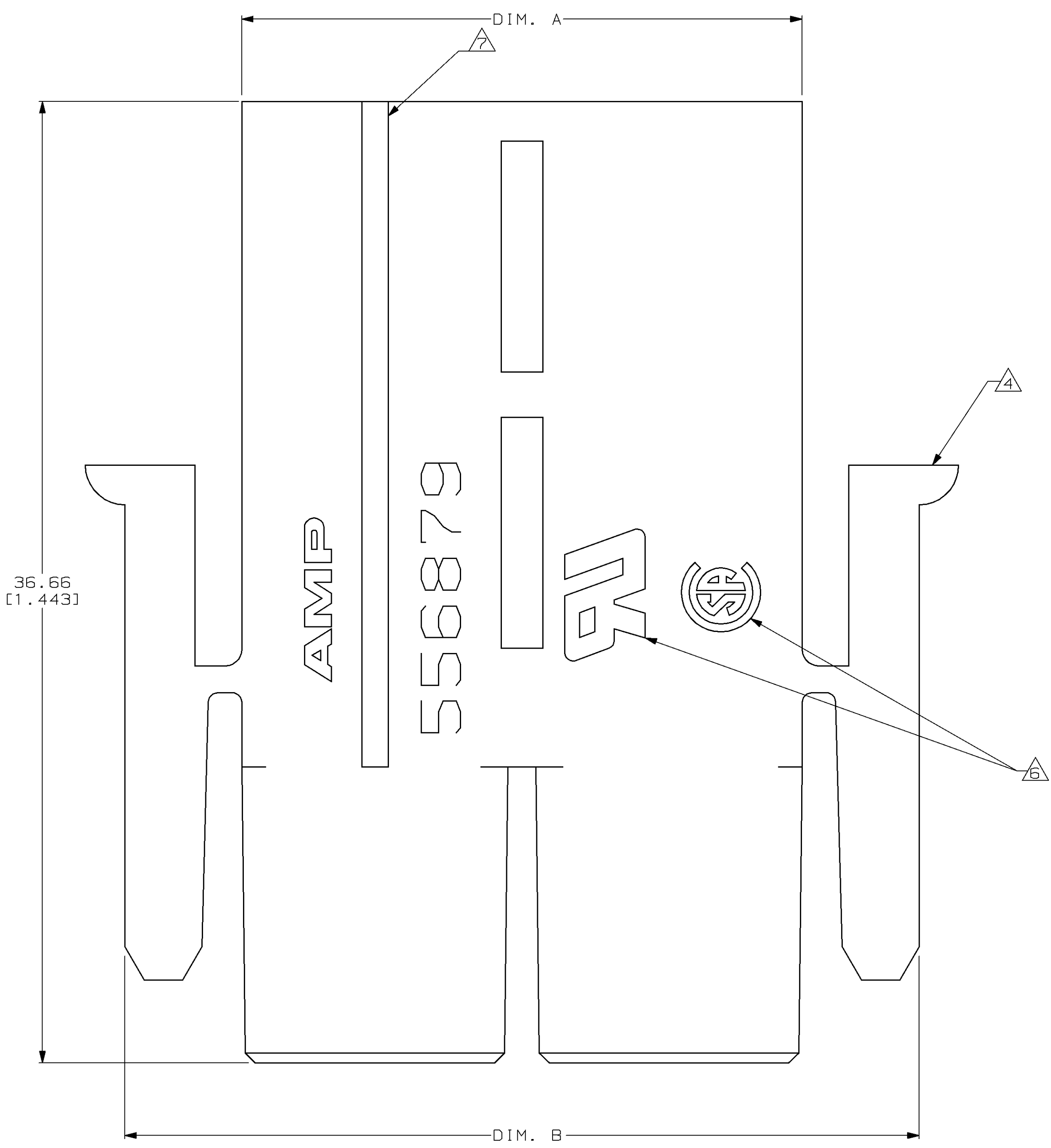


LOC	DIST	REVISIONS				
		REV	DESCRIPTION	DATE	OWN	APVD
FT	60	B	REV; EC 0210-0674-95	10-25-95	LW/UTA	
		C	REV PER EC 0320-68-97	06 MAR 97	MB	MM



- 1 MATERIAL: POLYCARBONATE, BLACK, 94V-0.
- 2 ALL DIMENSIONS ARE MAXIMUM UNLESS OTHERWISE SPECIFIED.
- 3 POLARIZATION FEATURE TO MATING HOUSING.
- 4 POSITIVE LATCHING OF PLUG HOUSING TO RECEPTACLE HOUSING ASSEMBLY.
- 5. POSITION 1 IS DESIGNED FOR MAKE-FIRST/BREAK-LAST GROUND WHERE NEEDED.
- 6 THESE HOUSINGS ARE UL RECOGNIZED AND CSA CERTIFIED.
- 7 INDICATES POSITION 1.

POSITION	DIM. B	DIM. A	PART NO
8	97.36 [3.833]	88.47 [3.483]	556879-8
7	86.19 [3.393]	77.30 [3.043]	-7
6	75.01 [2.953]	66.12 [2.603]	-6
5	63.83 [2.513]	54.94 [2.163]	-5
4	52.66 [2.073]	43.77 [1.723]	-4
3	41.48 [1.633]	32.59 [1.283]	-3
2	30.31 [1.193]	21.42 [.843]	556879-2

<small>THIS DRAWING IS A CONTROLLED DOCUMENT AND ANY DIMENSIONS IT IS SUBJECT TO CHANGE AND THE CONTROLLING ENGINEERING DEPARTMENT SHOULD BE CONTACTED FOR THE LATEST REVISION.</small>		DWN D. STRAUSSER 5-30-91 CHK B. FOX 8-23-91 APVD M. MILLER 8-28-91 NAME PRODUCT SPEC 108-1349 APPLICATION SPEC 114-6044	<b>AMP</b> AMP Incorporated Harrisburg, PA 17105-3508
DIMENSIONS: mm (INCHES)	TOLERANCES UNLESS OTHERWISE SPECIFIED: 0 PLC ± 1 PLC ± 2 PLC ± 3 PLC ± 4 PLC ± ANGLES ±° FINISH -	AMP M. MILLER 108-1349 114-6044 WEIGHT - CUSTOMER DRAWING	HOUSING, PLUG, WTB, AMPINERGY™ SIZE A1 CAGE CODE 00779 DRAWING NO. C-556879 SCALE 8:1 SHEET 1 OF 1 REV C